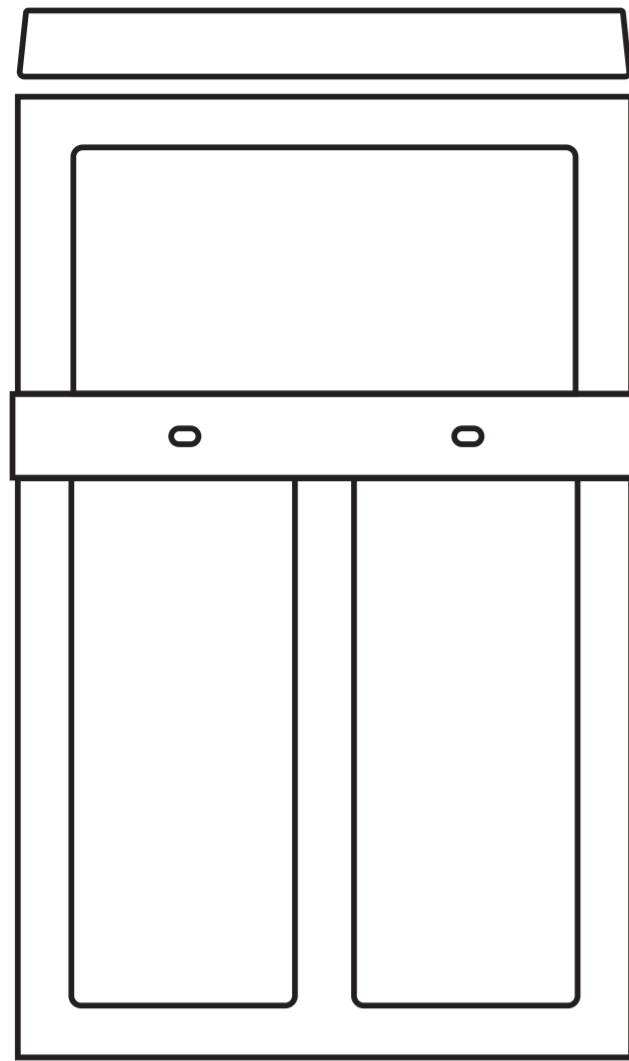


Ballot Bin



Your Ballot Bin

The Ballot Bin is a customisable bespoke ashtray aimed to tackle the issue of cigarette butt litter.

A 'voting system' encourages use of the ashtray, allowing the user to 'vote' by choosing one of two receptacles to dispose of their cigarette butt. Each receptacle has a window to display the used butts, allowing a public opinion poll to be generated.

The questions asked are customisable; they can be topical and reflect the interests of the target audience.

A powder coated steel bin with clear toughened glass panels and a removable inner compartment for emptying. Ideal for fixing on railings, fences, or walls.

Size: 605 × 350 × 80 mm (23.8 × 13.8 × 3.2 in.)

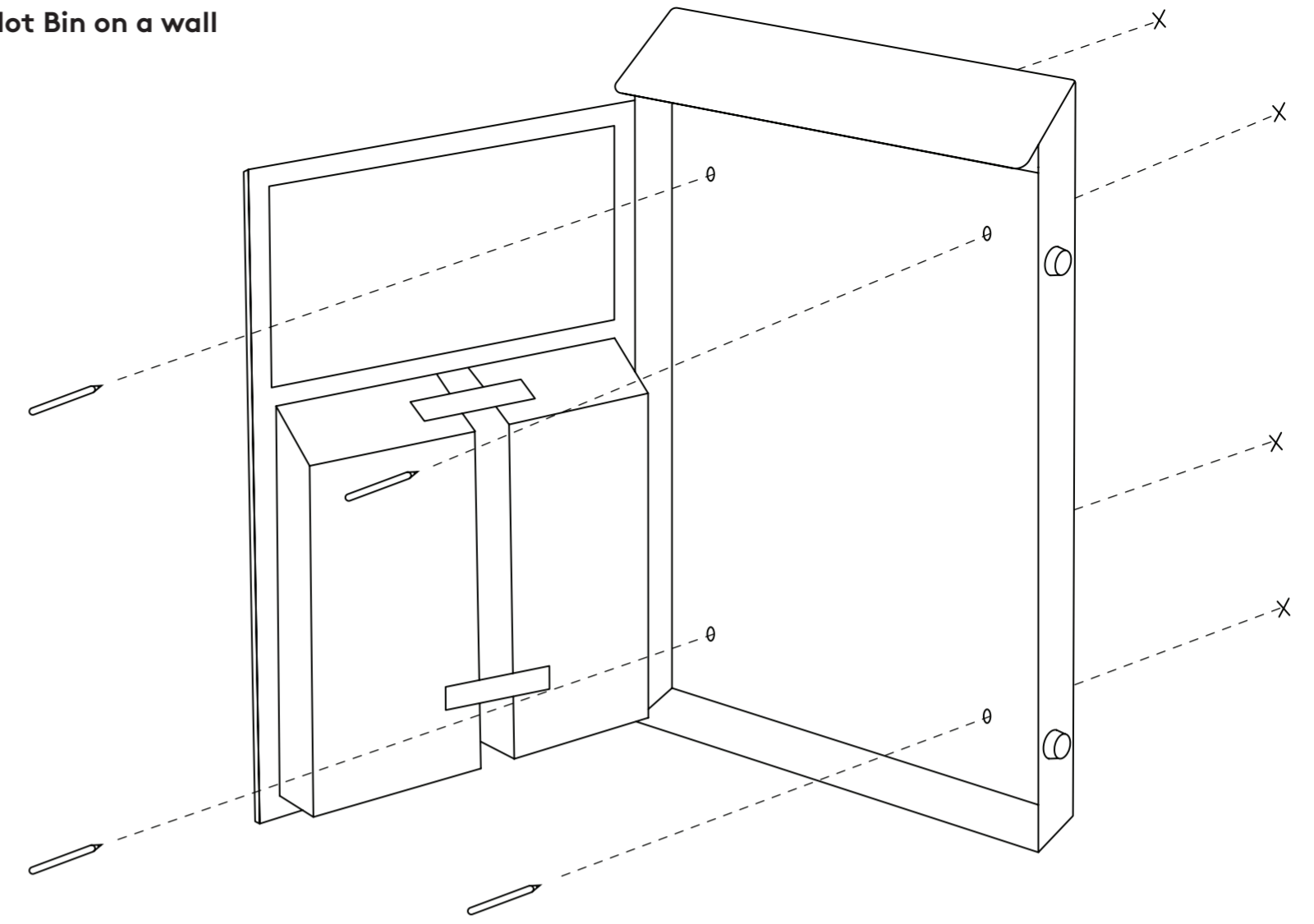
Weight: 10.4 kg (22.9 lbs)

Included in your order:

- Ballot Bin ashtray
- 200 magnetic letters
- Dry-wipe marker pen
- Mount for either railings or post
- 8mm hex key
- Instruction manual

Instruction And Installation Manual

Mounting Ballot Bin on a wall

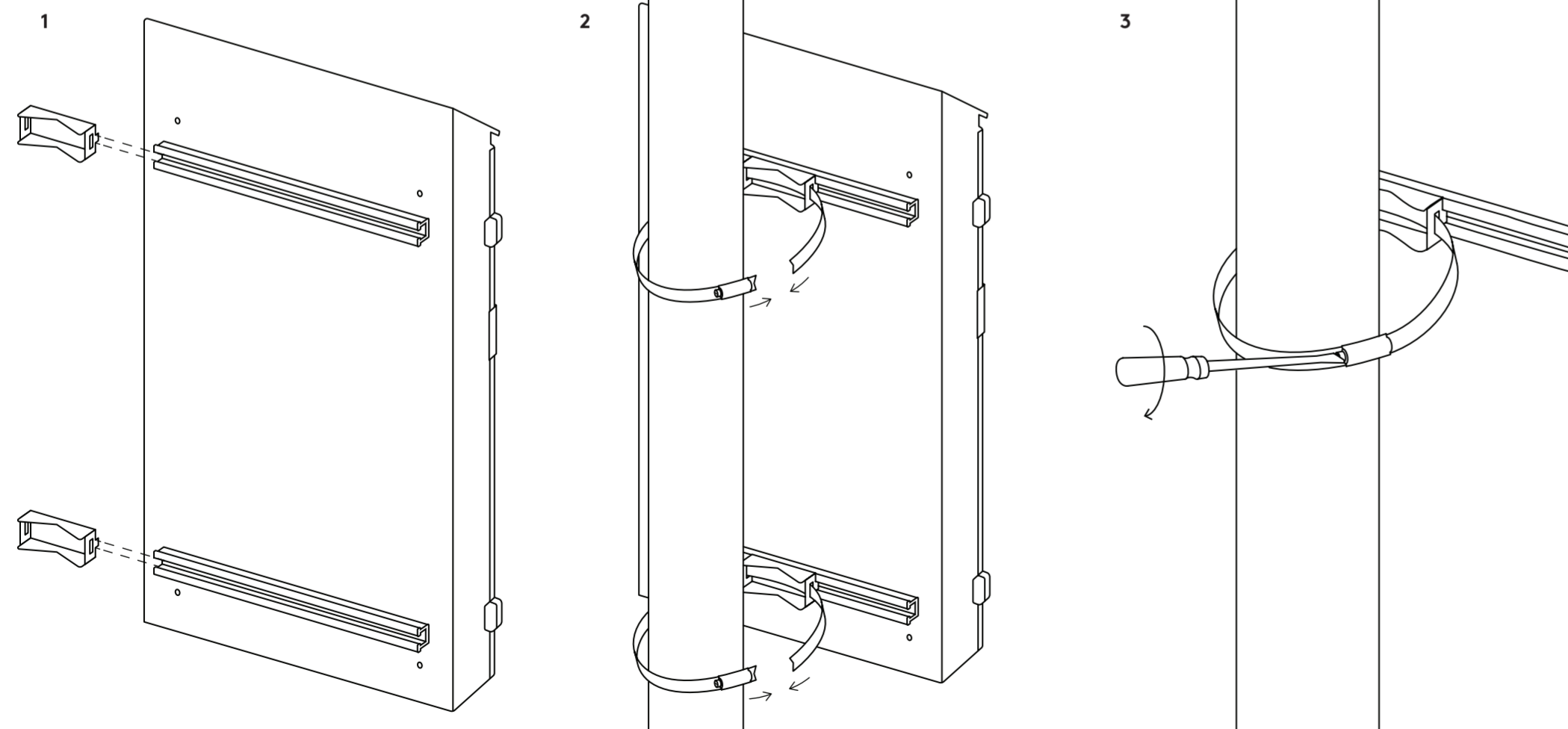


Mark hole locations on the wall.

Install wall plugs or wall anchors of the right kind for the wall you are mounting onto. If you are not sure what kind of wall plug you need, seek professional advice.

Use screws of the right length to fix through the ashtray and into the wall plug. You may need to use a washer to stop the screw head slipping through the hole.

Mounting Ballot Bin on a post

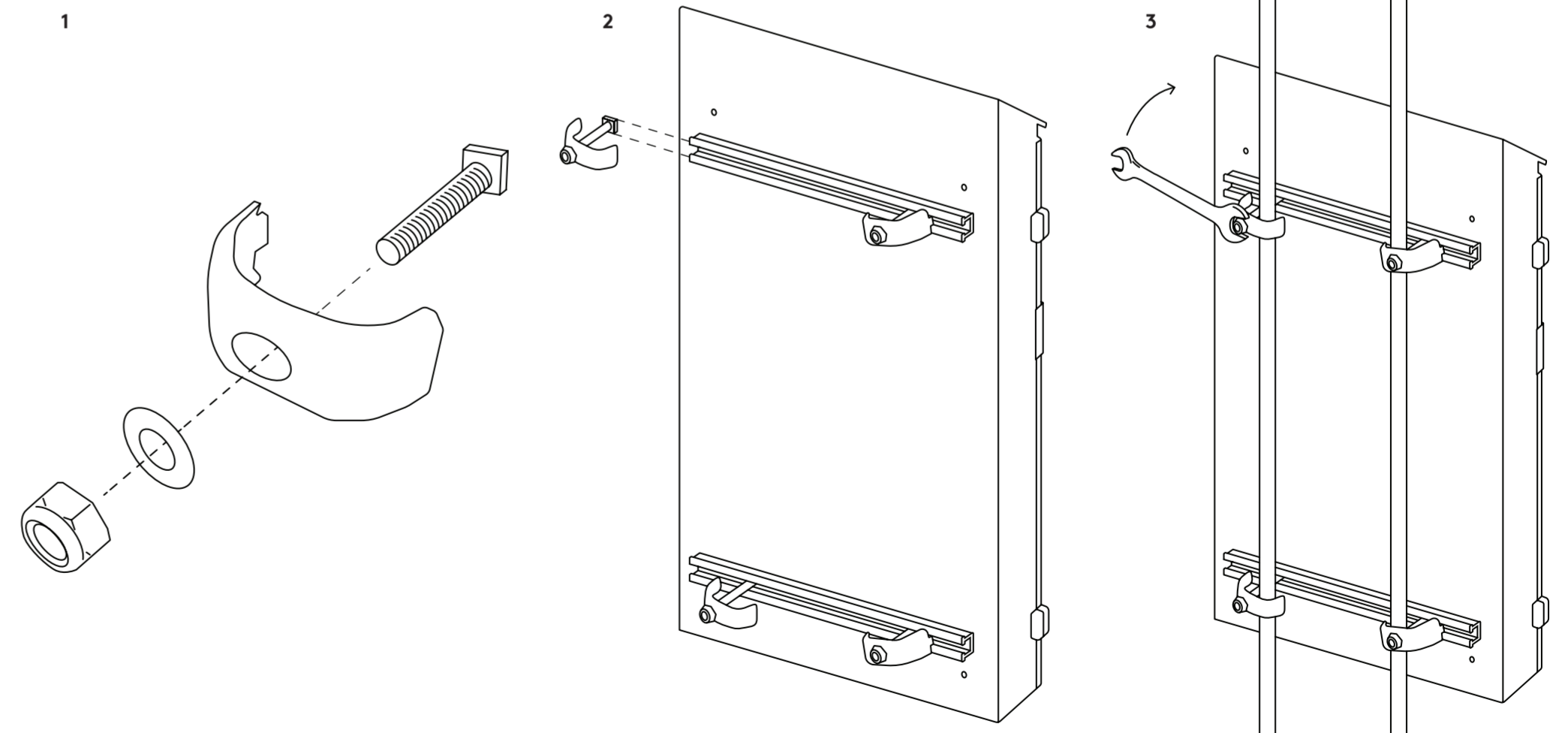


Slide the two post clamps into the centre of the rail and slip the hose clips through the clamp. Check that the post to which you are fitting the Ballot Bin is strong and stable.

Position the Ballot Bin against the post, and insert the loose end of the hose clips into the tightening mechanism. Tighten the clip to take up any slack.

Check the height of the Ballot Bin, making sure that most people will be able to comfortably put their cigarette butts in the holes. Tighten the hose clamps fully with a flat head screw driver. Ensure that the Ballot Bin is secure.

Mounting Ballot Bin on railings

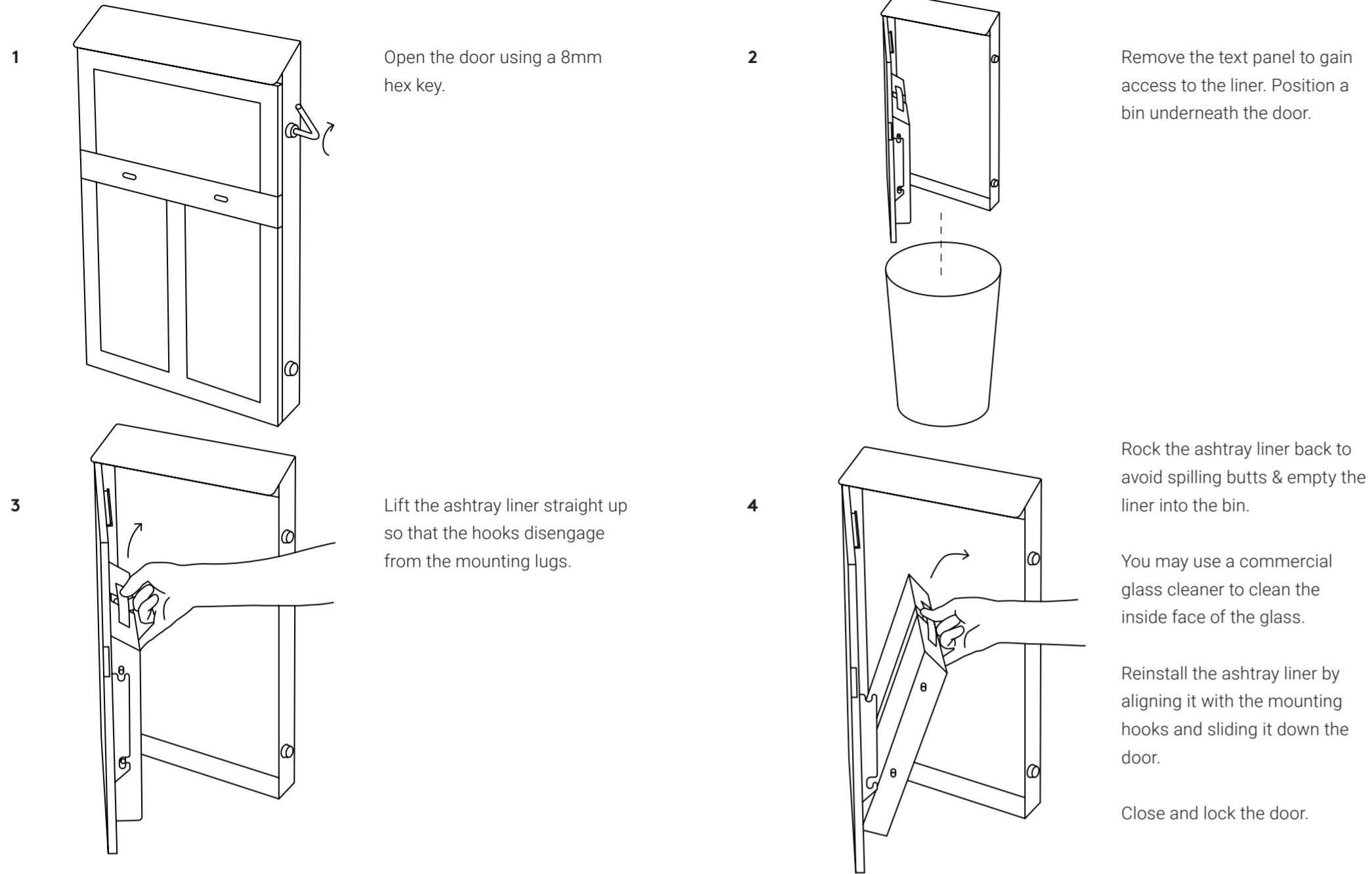


Loosely assemble four clamps.

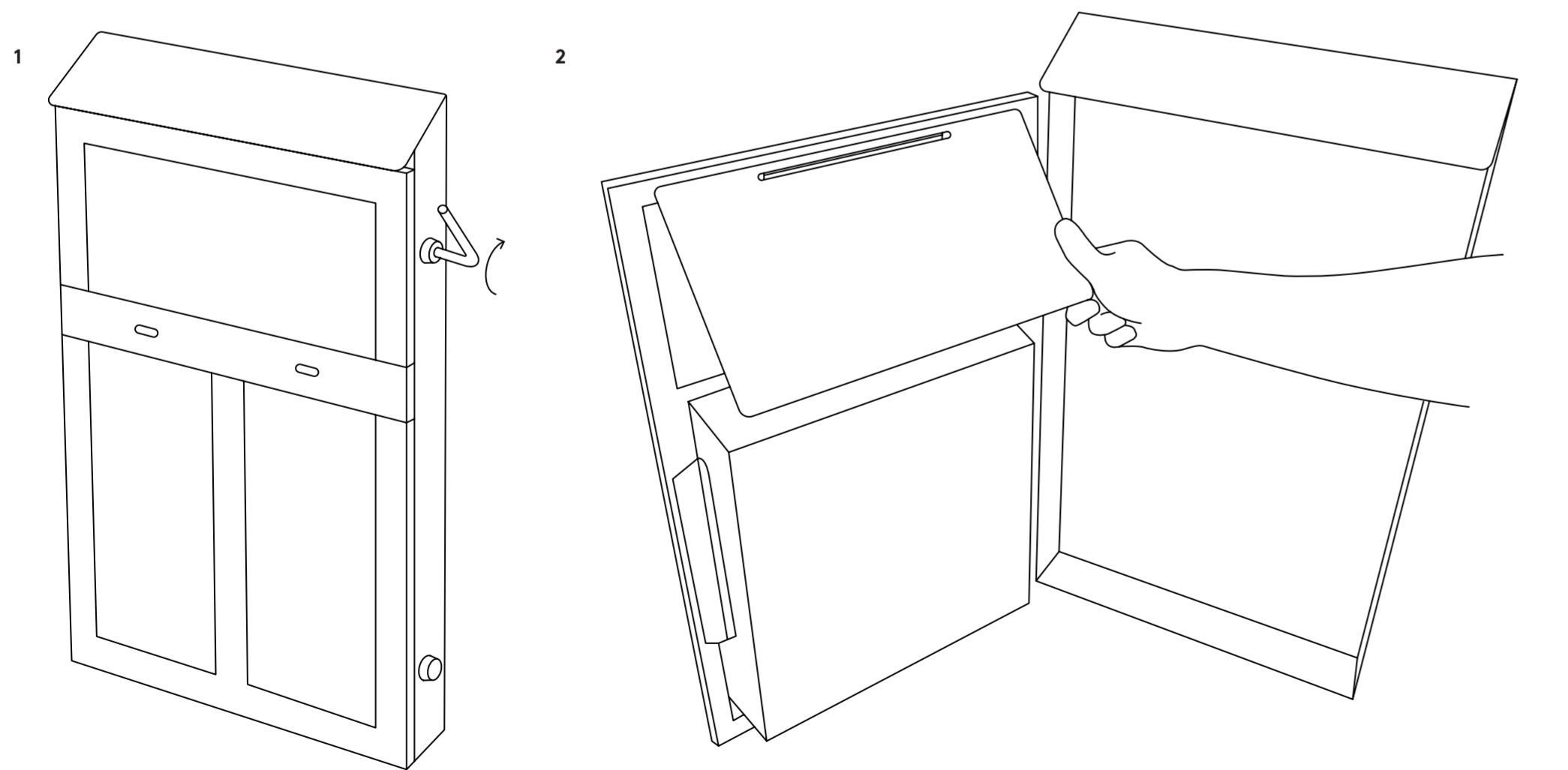
Slide the clamps onto the extrusions on the back of the ashtray. Check the railings that you plan to mount Ballot Bin to are stable and secure. A falling Ballot Bin could injure someone; if you are not sure check with a professional installer.

Position the ashtray against the railings and move each clamp so that it engages with a rail. Tighten the screw on each clamp with a spanner and check that the ashtray is held tight to the railings.

Emptying the Ballot Bin



Changing the question



Open the door using a 8mm hex key.

Un-hook the text panel from the wide hook on the back of the door assembly.

Either change the text using the included magnetic letters or use a black dry-wipe marker to write out your text. Over time the panel may need cleaning. Use a commercial whiteboard cleaning spray to bring the panel back to as-new condition.

Terms & Conditions

Product details

- The Ballot Bin was created in 2015 as a prototype that was trailed in Central London for the Neat Streets campaign. The prototype has been amended to make it scalable for batch production, so it will look different to the original design.
- The new product is a powder coated steel bin with clear toughened glass panels and a removable inner compartment for emptying.
- The Ballot Bin has been designed with the following considerations: weather, abuse, cleaning, prolonged use, emptying efficiency, graphics and branding.
- The Ballot Bin has been created considering health and safety precautions. The steel with toughened glass panels have been chosen to reduce fire risk.
- Hubbub is not responsible for any formal product testing or compliance certification that may be required for a specific locality.

Cancellation or refund

- After confirmation of order, cancellation will not result in a refund

Littering and Behaviour Change

Littering is a complicated and long-term public issue. There are many interdependent factors that influence people's decision-making and behaviours; such as social norms, habits and awareness. With so many factors at play it's unsurprising that there isn't one big solution to the issue. To tackle litter effectively a number of varied solutions are needed. For more information on behaviour change approaches and intervention ideas go to hubbub.org.uk/neat-streets

The 'voting ashtray' first featured in the Neat Streets campaign, Central London. It aimed to jolt people out of their normal littering routine by asking questions linked to sporting events, playing off the rivalries and the competitive nature of fans. It provoked online debate with the question 'Who's the best footballer in the world? Ronaldo or Messi', and took social media by storm.

Six reasons for success:

1. Simple concept
2. Visually eye-catching
3. Social media friendly – share using the hashtag #NeatStreets
4. Clear ask of the user
5. Questions tailored to reflect the culture and interests of the target audience
6. Questions linked to calendar events and topical issues

Marketing

- Hubbub is an environmental charity using creative solutions to inspire change. We work together with businesses, government and directly with consumers.
- Once you have purchased a Ballot Bin, we will email you from time to time with news on our latest campaigns and new products.
- If you do not wish to hear from us, please 'opt-out' when you receive these communications and we will no longer contact you.

Safety considerations

- The Ballot Bin should always be picked up from the sides, never from the top.
- Never pick up your Ballot Bin with the door open as it can slide off on the hinges.
- Never pick up the Ballot Bin using the door.
- Always seek professional support with installing.

Cigarette Butt Recycling

TerraCycle has introduced a free recycling programme for cigarette waste, which not only helps to recycle the cigarette waste, but that also turns it into something useful. Waste collected through the Cigarette Waste Recycling Programme will be recycled into a variety of useful plastic products, such as outdoor construction site hoardings and lumber. Participation is simple and completely free.

Once your Ballot Bin is full simply visit terracycle.co.uk to set up an account and join the Cigarette Waste Recycling Programme for free. Put the bag of cigarette waste into a box and download a free shipping label through your profile. Then, simply attach your free shipping label and order a free pick-up via UPS.

TerraCycle collects non-recyclable waste and turns it into new products and materials. TerraCycle is currently present in 19 different countries and offers a wide selection of recycling programmes. If you are interested in recycling cigarette waste outside of the UK, please contact customersupport@terracycle.co.uk for more information.

Ballot Bin brought to you by



Common Works